

MAVERICK SPOT LIGHT

TECHNICAL SHEET

KL-SP00024

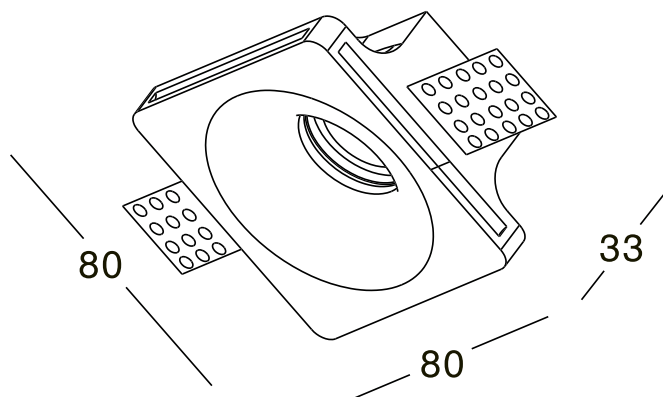


KEYLIGHT

SPAIN

PRODUCTOS DE ILUMINACION

DRAWING



83x83 mm



SPECIFICATIONS

Product Code	KL-SP00024
Power	1W
Input	220-240V
LED Type	CREE XB-D
Material	Gypsum
Dimensions	80mm*80mm*33mm
Cut-out	83mm*83mm

